



Double Brackets Specifications

Model No.

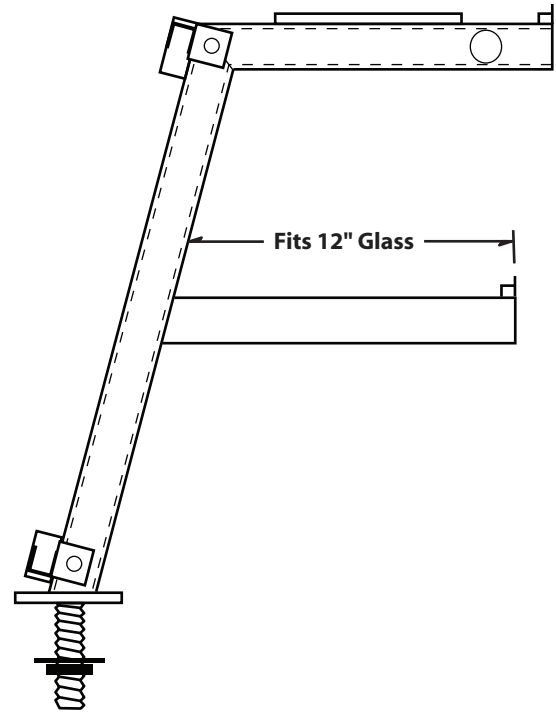
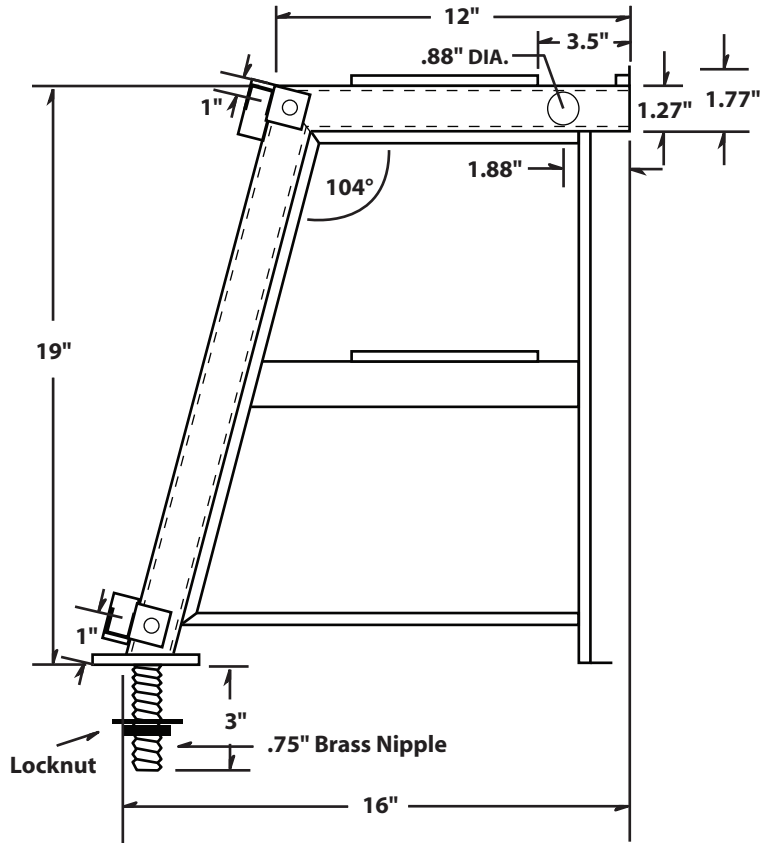
Phone: (631) 226-6688

FAX: (631) 226-6890

side view

end bracket

middle bracket



top view

optional screw-down plate

standard threaded nipple plate

