



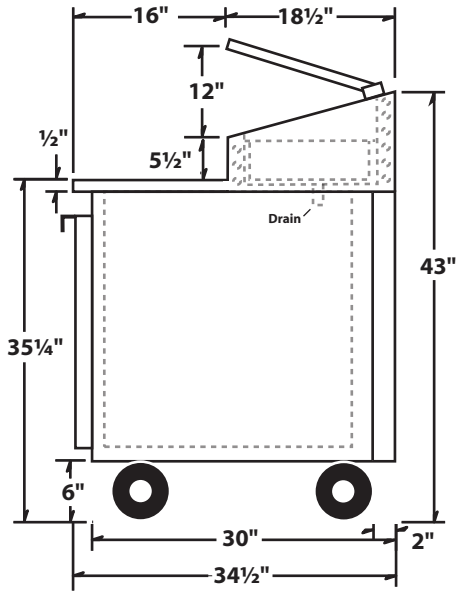
2-Door Remote Standard Prep Table Specifications

Model No. BM50-R

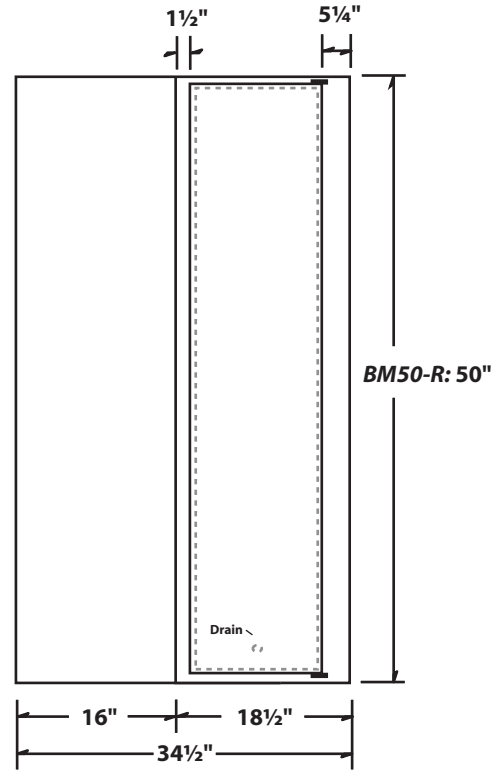
Phone: (631) 226-6688

FAX: (631) 226-6890

side view



top view



front view

