

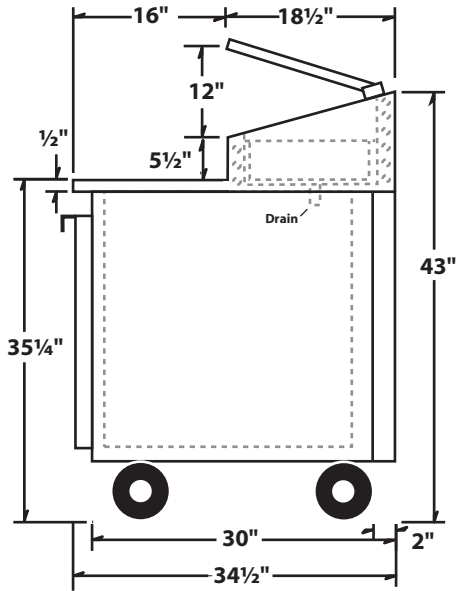


# 4-Door Remote Standard Prep Table Specifications

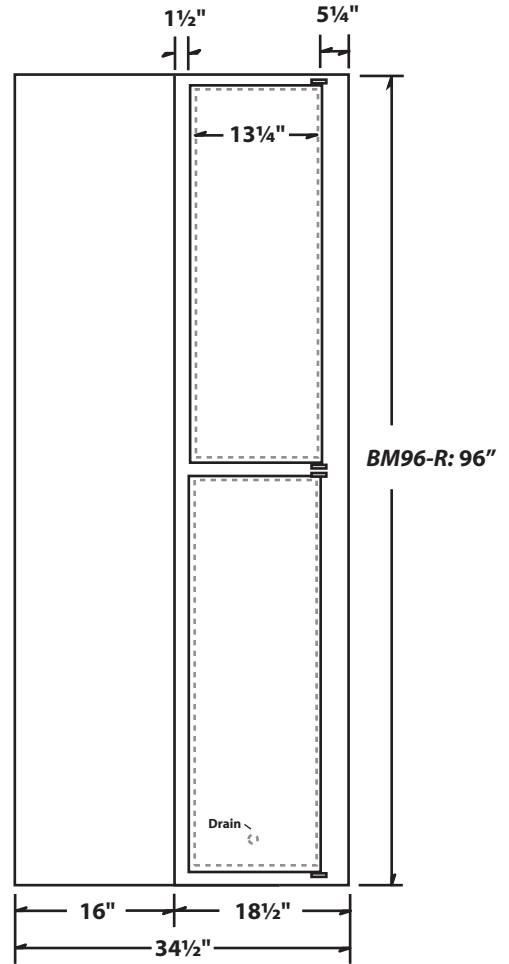
Phone: (631) 226-6688  
FAX: (631) 226-6890

Model No. BM96-R

side view



top view



front view

