



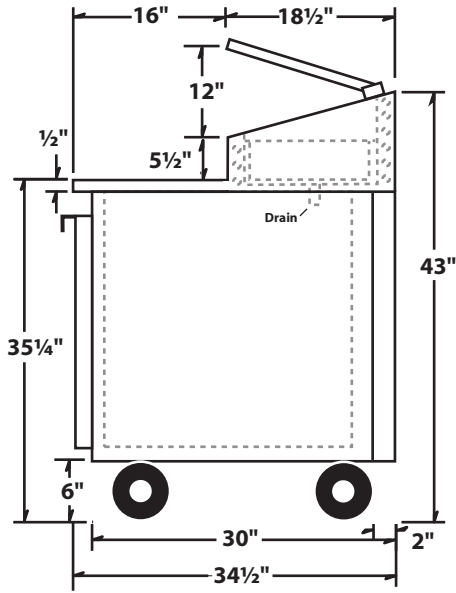
1-Door Standard Prep Table Specifications

Model No. BM48

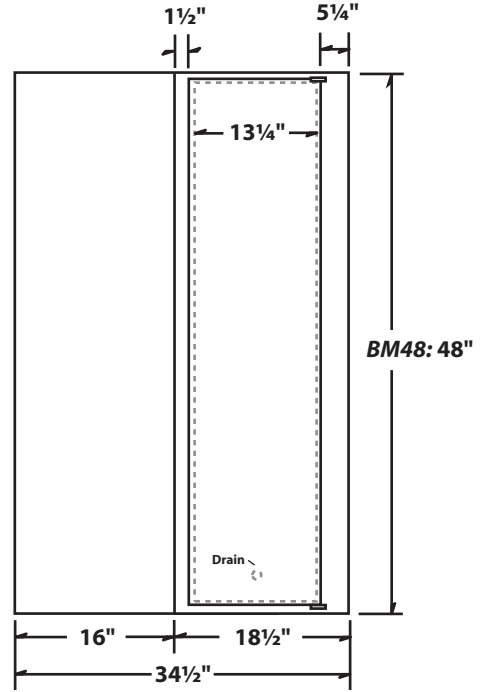
Phone: (631) 226-6688

FAX: (631) 226-6890

side view



top view



front view

