

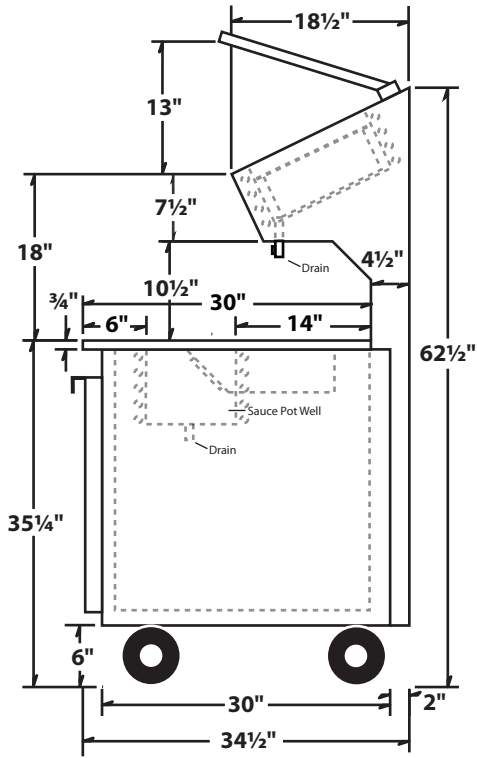


# 3 Door Remote Prep Table Supreme Specifications

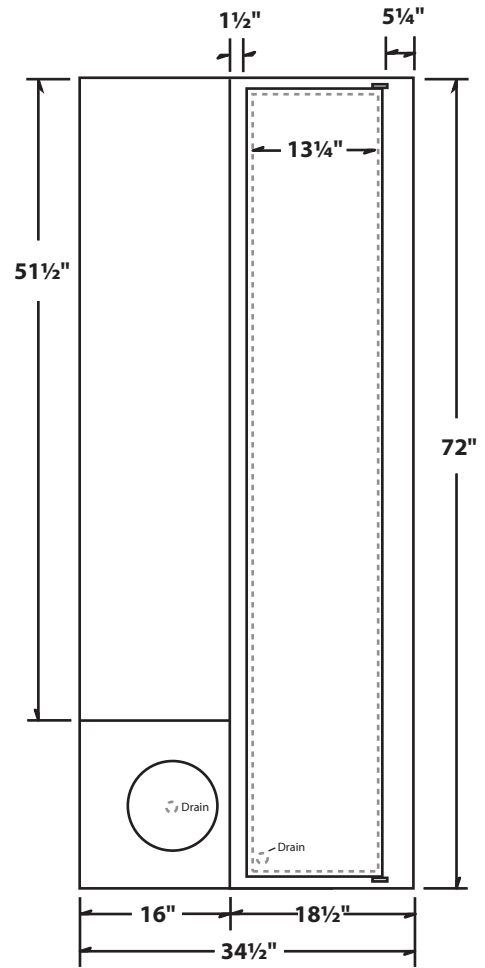
Model No. BM72S-R

Phone: (631) 226-6688  
 FAX: (631) 226-6890

side view



top view



front view

